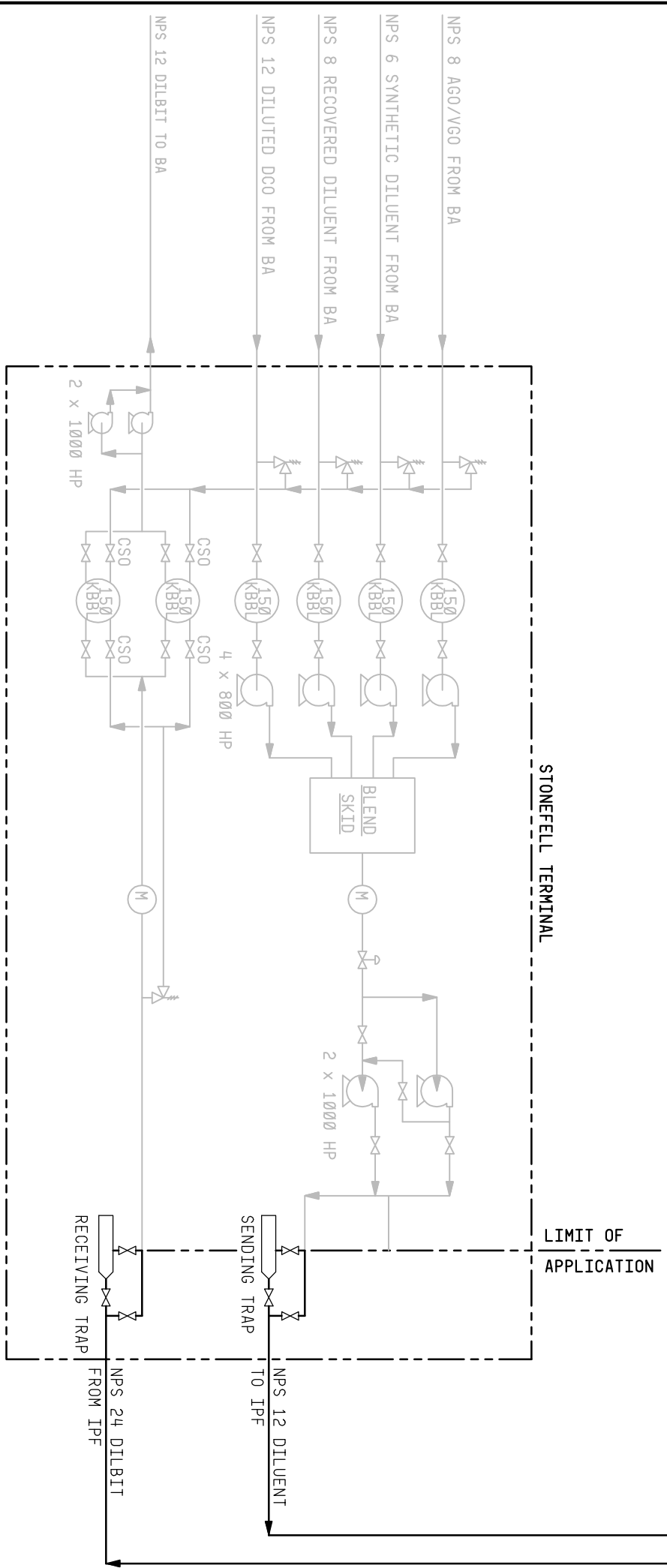


12" DILUENT TO COLD LAKE  
24" BLEND TO EDMONTON

EUB LIC.# 19113-36 & MOP 10,200 KPa  
EUB LIC.# 21025-11 & MOP 8,395 KPa



STONEFELL TERMINAL

LIMIT OF APPLICATION

NPS 24 DILBIT FROM IPF

NPS 12 DILUENT TO IPF

NOTES:

1. NPS 24 STONEFELL/EDMONTON PIPELINE REMOVED FROM THE APPLICATION.

RE-ISSUED FOR REGULATORY APPROVAL	1 FEB 07	SG
RE-ISSUED FOR REGULATORY APPROVAL	12 MAY 06	SG
ISSUED FOR REGULATORY APPROVAL	06 APR 06	SG
REVISION	DATE/BY	APPROVE
NO		

COMMENT: This revision is the removal of Enbridge and ABRI and its subsidiaries either in whole or in part without the prior written consent of Enbridge.

**ENBRIDGE**  
Enbridge Pipelines (Athabasca) Inc.  
18281 Jasper Avenue  
Edmonton Alberta Canada

STONEFELL PIPELINES SYSTEM - IPF LATERALS  
PROCESS FLOW DIAGRAM

DRAWN	AC	CHECK	APPR
DATE	14 FEB 06	SCALE	N.T.S.
			APPR

EUB APPLICATION PFD **B**